

Typical Tank Layout

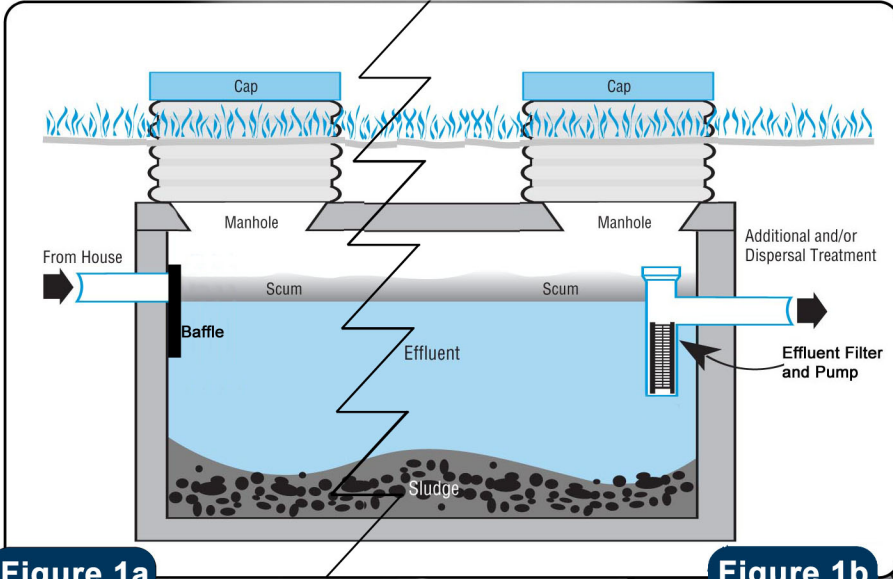


Figure 1a
Typical 1st septic tank cross section

- 1c** Pump Tank
- 1d** Effluent Filter
- 1e** Pump

Figure 1b
Typical 2nd septic tank cross section

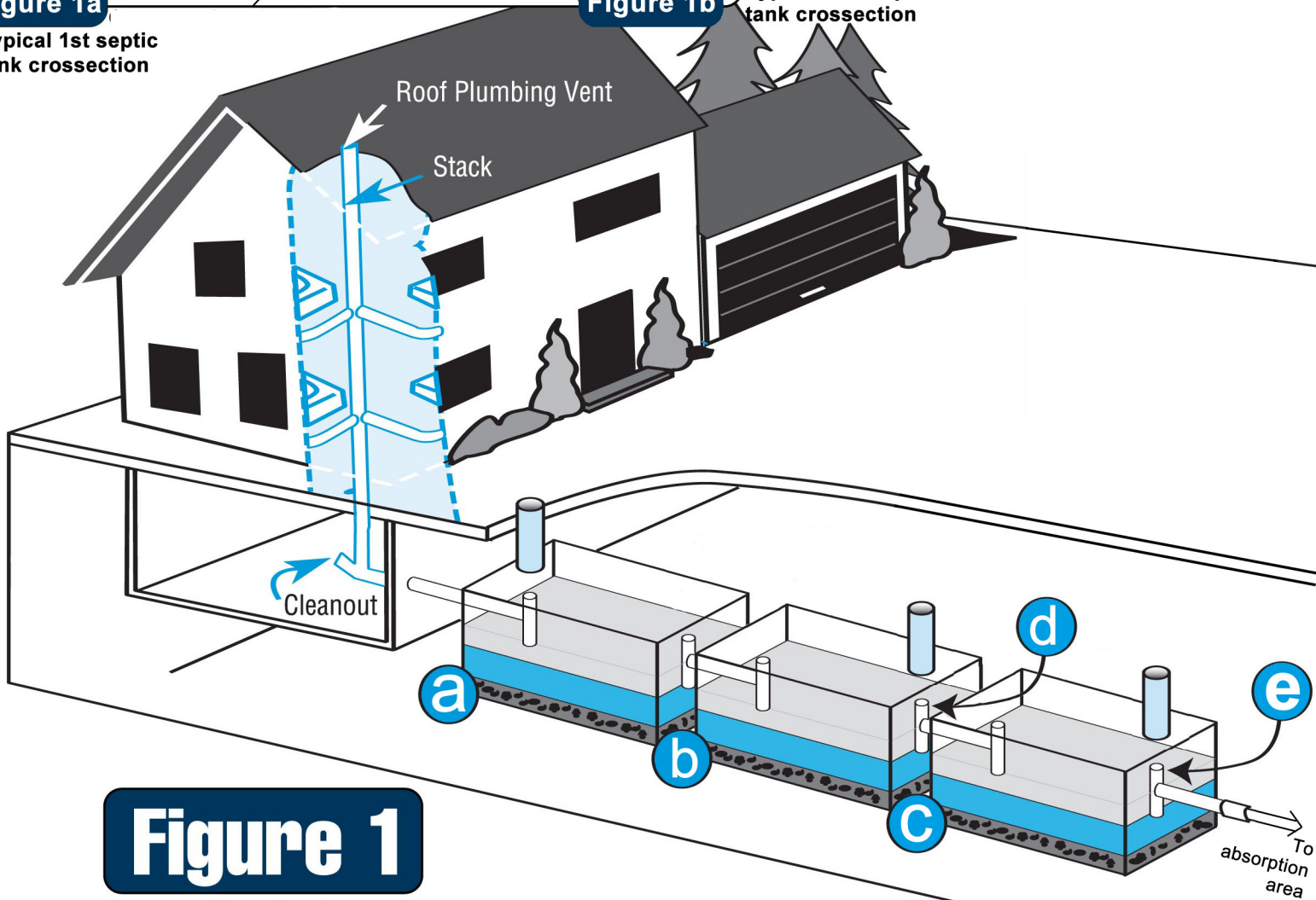
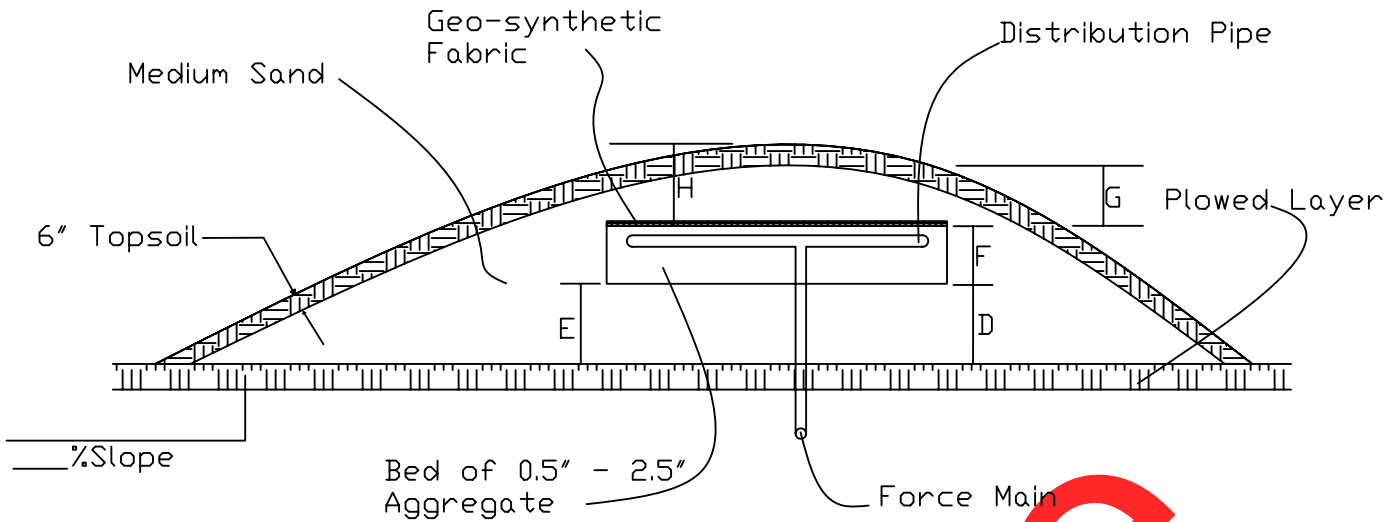


Figure 1

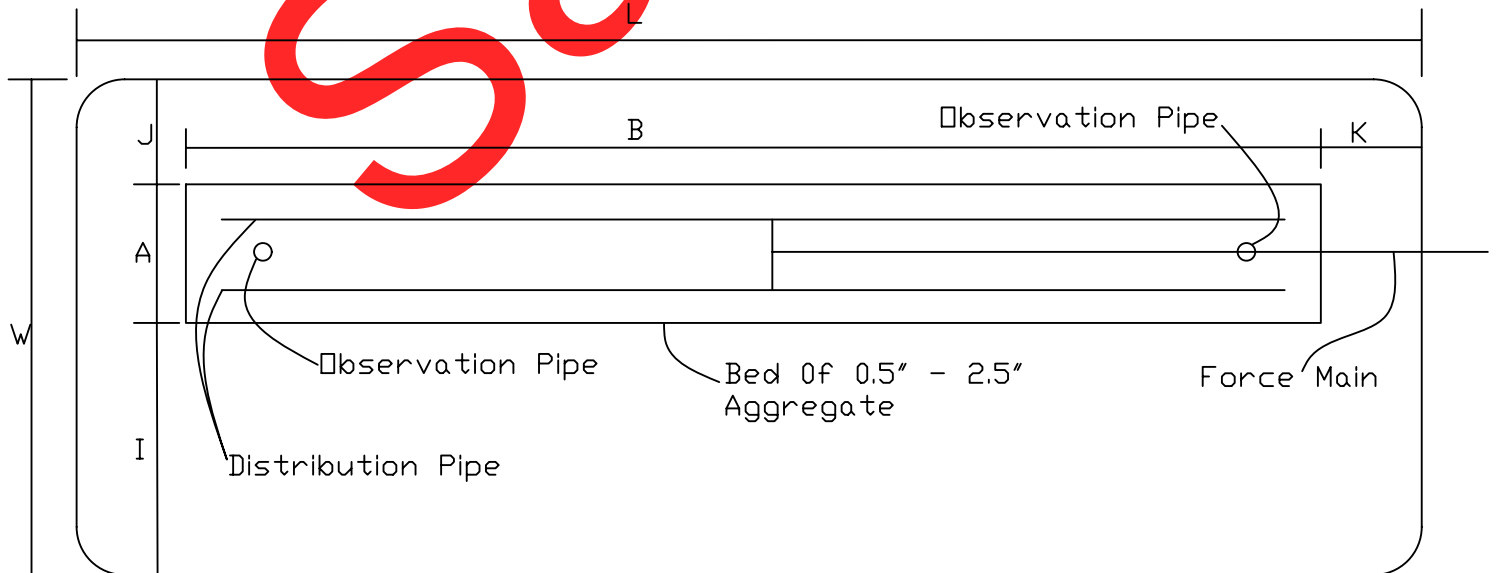
Typical residential septic system.

Mound Layout



Cross Section of A Mound Using A Bed For The Absorption Area

- A ___ Ft.
- B ___ Ft.
- I ___ Ft.
- J ___ Ft.
- K ___ Ft.
- L ___ Ft.
- W ___ Ft.
- D ___ Ft.
- E ___ Ft.
- F ___ Ft.
- G ___ Ft.
- H ___ Ft.



Plan View of A Mound Using A Bed For The Absorption Area